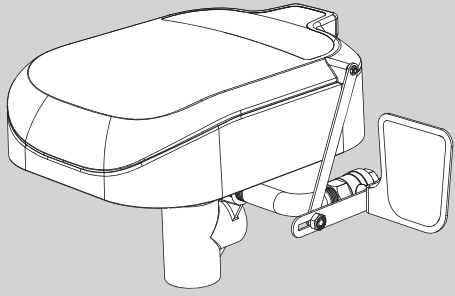


INSTRUCTIONS FOR MODELS

OCV Optimus Dust Cover



NEED HELP?

For additional assistance or service please contact:

SPEAKMAN® Company
400 Anchor Mill Road
New Castle, DE 19720

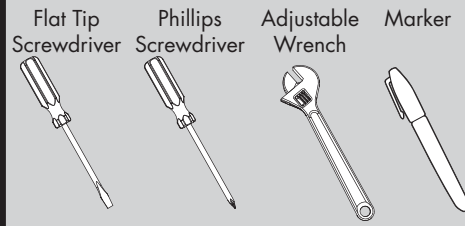
800-537-2107

customerservice@speakman.com

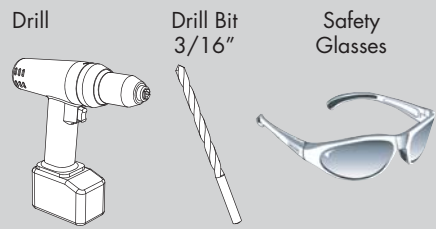
www.speakmanpro.com

92-OCV-R1

TOOLS AND SUPPLIES



HELPFUL TOOLS & SUPPLIES:



IMPORTANT

- Do not over-tighten any connections or damage may occur.
- Be sure to read instructions thoroughly before beginning installation.
- **NOTE:** The Dust Cover is intended to be installed on the Optimus unit prior to mounting the bowl unit. If the Optimus is already mounted, it can be attached but additional steps must be taken to turn off the water supplies prior to installation.

SAFETY TIPS

Be sure to wear proper eye protection.

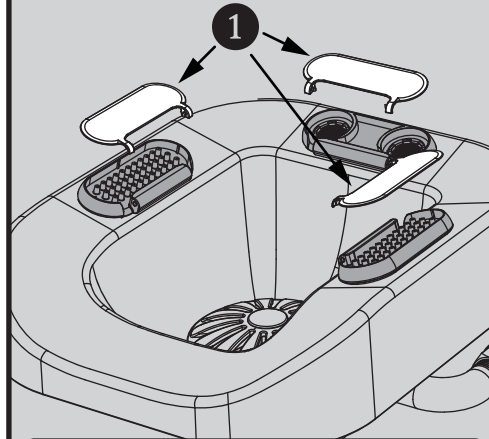
MAINTENANCE

Your new Speakman Product is designed for years of trouble-free performance. Keep it looking new by cleaning it periodically with a soft cloth. The use of harsh chemicals and abrasives on any of the Speakman custom finish products may damage the finish and void the product warranty. Please be sure to only use approved cleaners. Please contact Speakman for any clarification of acceptable cleaners.

WARRANTY

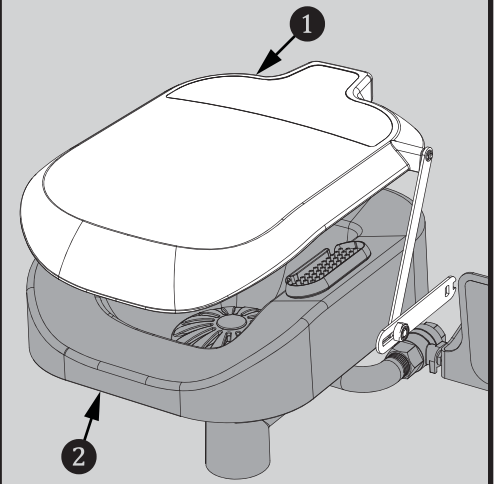
Additional warranty information can be found at: www.speakman.com

1 Remove existing dust caps (1) from Optimus.



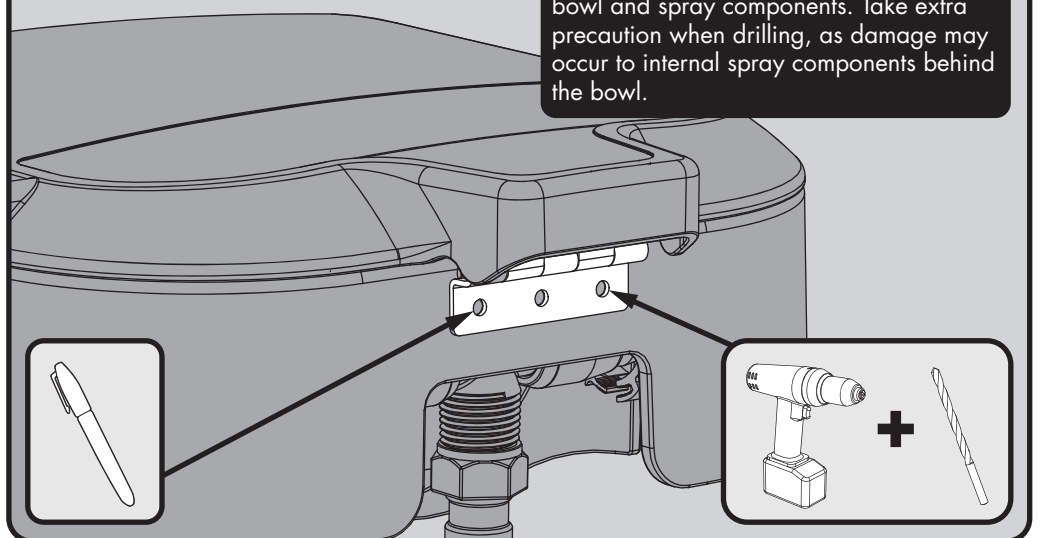
NOTE: The Dust Cover is intended to be installed on the Optimus unit prior to mounting the bowl unit. If the Optimus is already mounted, it can be attached but additional steps must be taken to turn off the water supplies prior to installation.

2 Place the Optimus Dust Cover (1) on top of the Optimus Eye/face wash product (2). The Optimus Dust Cover (1) should sit flush on top of the bowl.

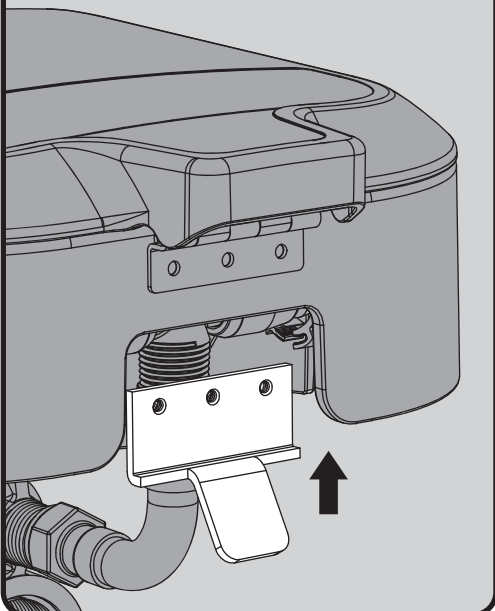


3 Verify the Optimus unit has the mounting holes required for mounting the Optimus Dust Cover. If your Optimus unit is not pre-drilled, or the holes are misaligned, use the holes located on the hinge as a guide to mark the holes required. Remove Dust Cover assembly and drill marked locations with a 3/16" drill bit.

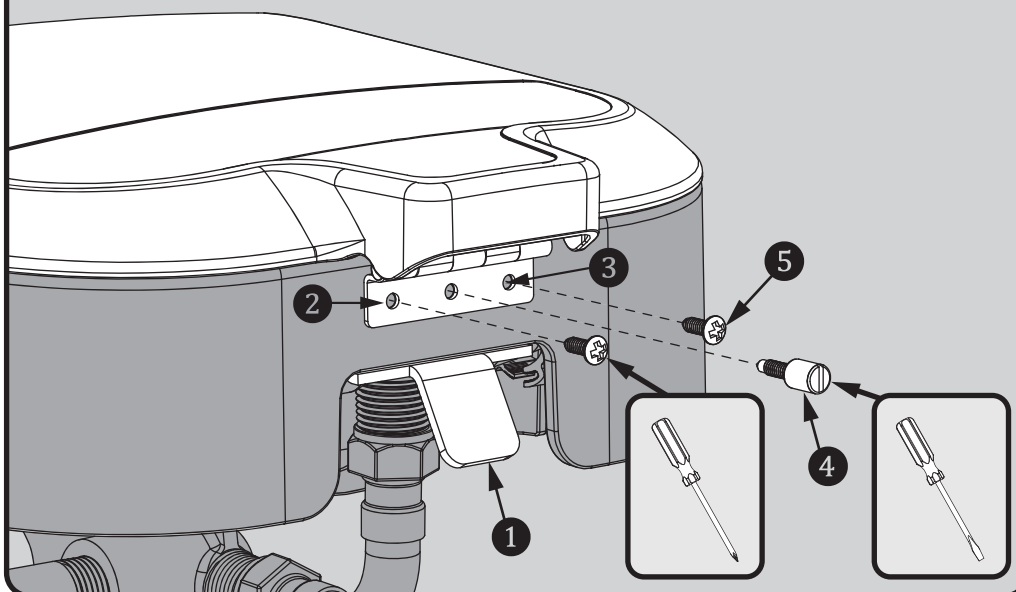
IMPORTANT: Insert cardboard or similar barrier between the inside surface of bowl and spray components. Take extra precaution when drilling, as damage may occur to internal spray components behind the bowl.



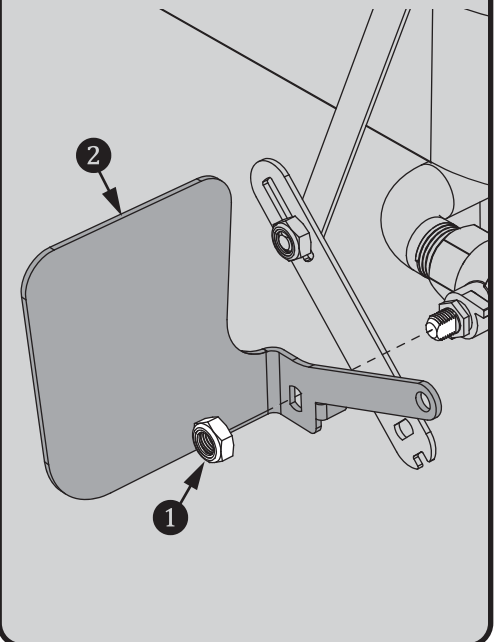
4 Slide the Hinge Mounting Bracket (1) up and behind the lip of the Optimus Bowl and hold in position.



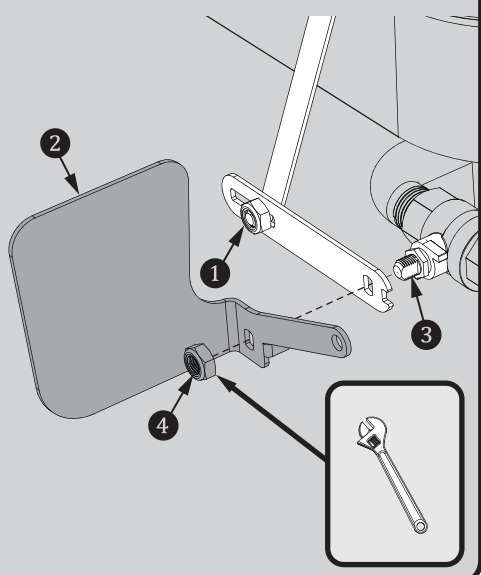
5 Visually align the mounting holes of the Hinge (2), Bowl (3) and Hinge Mounting Bracket (1). Secure this assembly with the Alignment Screw (4) in the center hinge hole. Secure the outer hinge holes with the Mounting Screws (5) provided. Tighten all three mounting screws and assure the dust cover is properly aligned with the bowl, and can open and rotate freely.



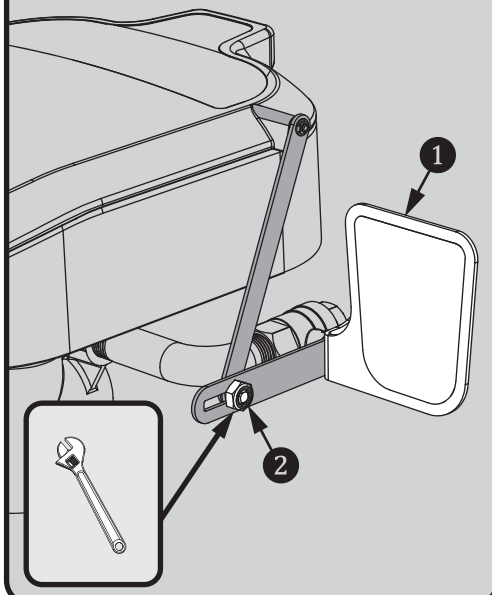
6 Remove the nut (1) from the Optimus Activation Handle (2). Remove Activation Handle (2).



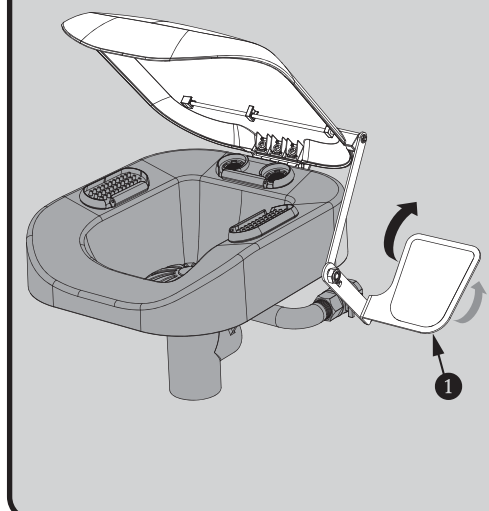
7 Loosen the Adjustment Nut (1) on the slotted area of the linkage. Connect the Linkage Assembly to the spindle of the Ball Valve (3). Place the Activation Handle (2) back onto the spindle and secure with the Nut (4). Wrench tighten.



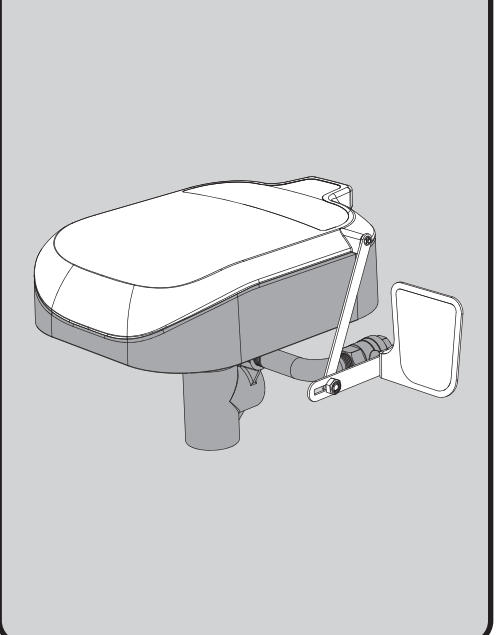
8 With the Ball Valve in the off position and the Activation Paddle (1) in the vertical position, secure Adjustment Nut (2) to the slotted area of the linkage. Wrench tighten.

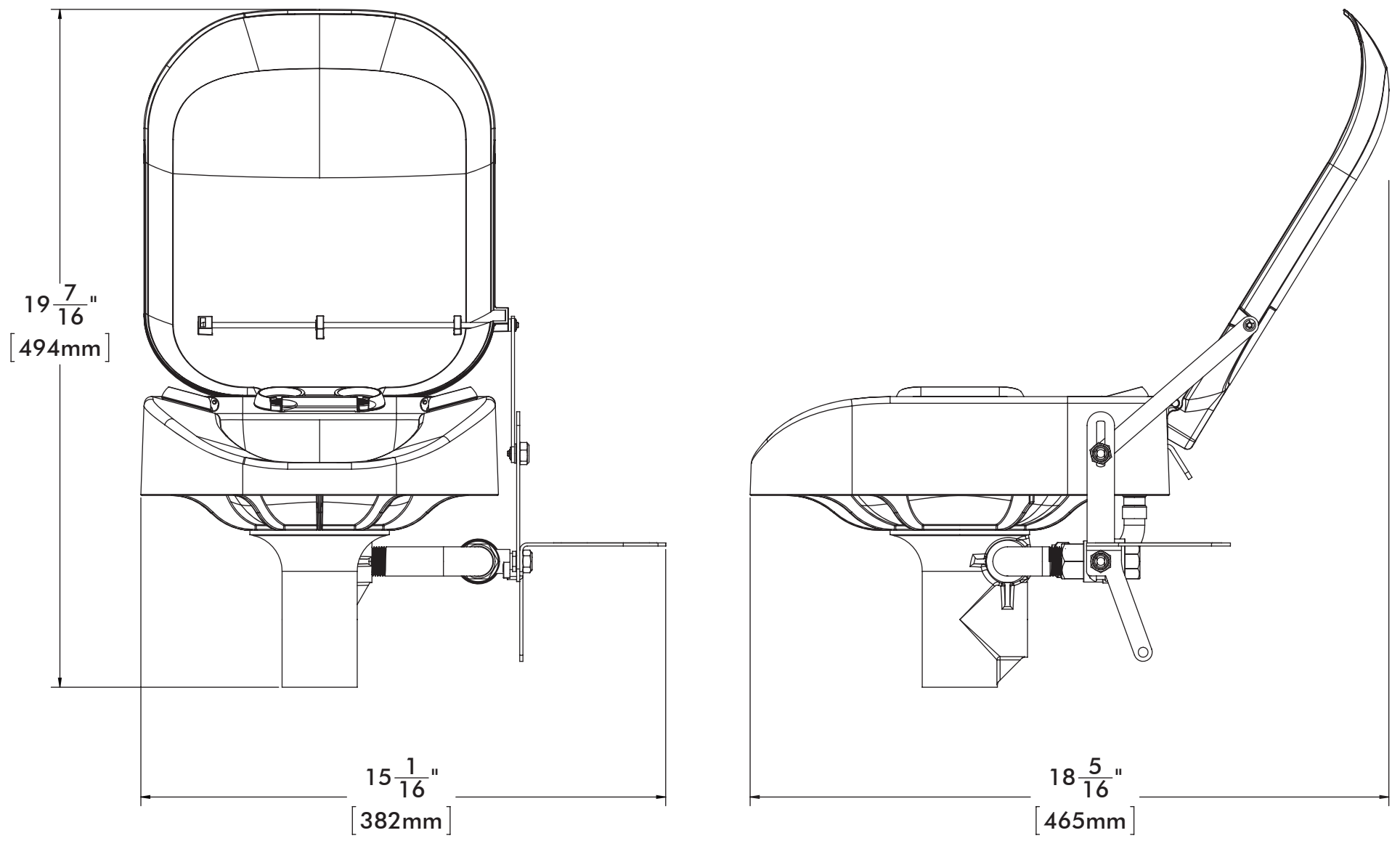


9 Activate the unit by rotating the Activation Handle (1) away from you, and assure the Dust Cover opens properly. Rotate the Activation Handle (1) to the closed position (vertical) to close the Dust Cover. The Dust Cover should sit flush on the bowl. Repeat this process a few times assuring proper operation.



10 Mount the Optimus unit according to installation instructions, turn on water and test.





DIMENSIONS SUBJECT TO CHANGE WITHOUT NOTICE.